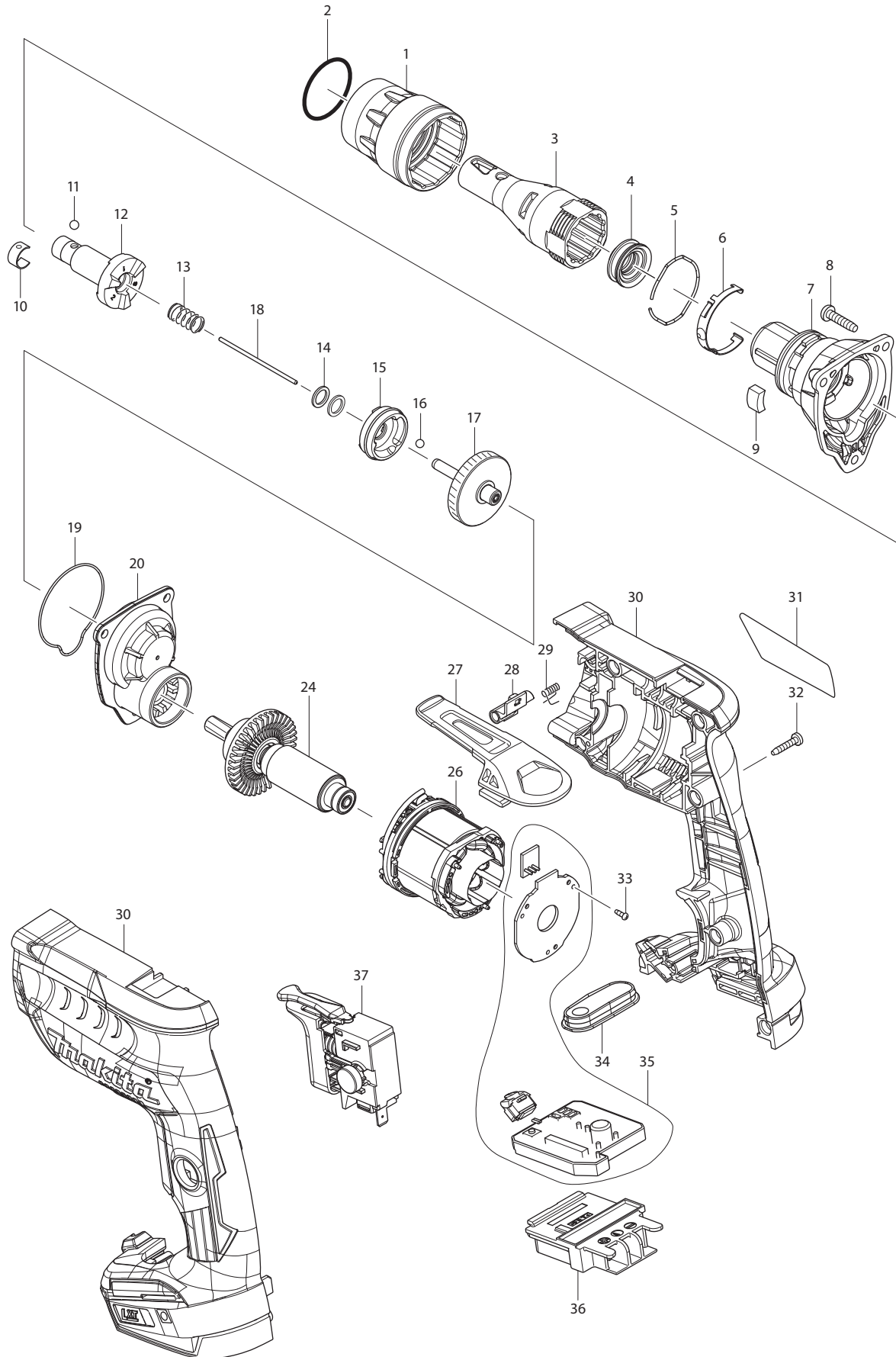




10 - 2014

DFS452Z

# 18V BRUSHLESS DRYWALL SCREWDRIVER



Item No.	Type	Sub	Part No.	Description	Qty	Unit
001			455591-0	LOCK RING	1	PC.
002			424235-3	SEAL RING 30	1	PC.
003			158876-0	LOCATOR L COMPLETE	1	PC.
004			424665-8	DUST SEAL SLEEVE	1	PC.
005			234348-0	RING SPRING 30	1	PC.
006			232245-4	LEAF SPRING	1	PC.
007			142902-5	GEAR HOUSING COMPLETE	1	PC.
		INC.	213796-6	OIL SEAL 11	1	PC.
008	2		265A48-7	TAPPING SCREW 4X18	3	PC.
009			423413-2	RUBBER PLATE	1	PC.
010			232050-9	LEAF SPRING	1	PC.
011			216001-0	STEEL BALL 3.5	1	PC.
012			142903-3	SPINDLE 125S COMPLETE	1	PC.
013			234121-8	COMPRESSEION SPRING 8	1	PC.
014			267202-3	FLAT WASHER 8	2	PC.
015			223181-5	CLUTCH CAM 125S	1	PC.
016			216008-6	STEEL BALL 4	3	PC.
017			142904-1	GEAR COMPLETE	1	PC.
		INC.	424663-2	SEAL	1	PC.
018			268325-0	ROD 2	1	PC.
019			424664-0	SEAL RING	1	PC.
020			142909-1	GEAR HOUSING COVER COMPLETE	1	PC.
024	3		519664-4	ROTOR ASS'Y	1	PC.
026			629135-4	STATOR	1	PC.
027			162272-6	HOOK	1	PC.
028			142908-3	LEVER COMPLETE	1	PC.
029			233619-2	TORSION SPRING 3	1	PC.
030			187993-9	HOUSING SET	1	SET
		INC.	263005-3	RUBBER PIN 6	2	PC.
031			850H34-9	NAME PLATE F/DFS452	1	PC.
032			266130-9	TAPPING SCREW BIND PT 3X16	7	PC.
033			266490-9	TAPPING SCREW PT 2X6	3	PC.
034			142905-9	SWITCH PLATE COMPLETE	1	PC.
035	2		620360-0	* CONTROLLER COMPLETE	1	PC.
		INC.		* Item No. 36		
	3		620J39-3	* CONTROLLER COMPLETE	1	PC.
		INC.		* Item No. 36		
036			643860-3	* TERMINAL	1	PC.
037			650733-3	SWITCH C3JW-4B-2L	1	PC.
039			850H36-5	SERIAL NO. LABEL F/DFS452	1	PC.
100			266622-8	+ TRUSS HEAD SCREW M4X12 (F/HOOK)	1	PC.
D01			654562-6	INSULATED CONNECTOR 35115	3	PC.
E01			688161-2	LINE FILTER	1	PC.

**ACCESSORIES**

- See Catalogue or visit [www.makita.ca](http://www.makita.ca) for more optional accessories -

A02			346449-3	HOOK	1	PC.
A03			784261-7	+ BIT 2-25	2	PC.
			B-24125	DRIVER BIT PH2 1" 3/SET	1	SET
			B-24935	DRIVER BIT PH2 1" 100/SET IN JAR	1	SET
			B-25018	DRIVER BIT PH2 1" 100/SET IN BAG	1	SET
			A-96469	IMPACTX BIT PH2 1" 2/SET	1	SET
			A-96475	IMPACTX BIT PH2 1" 50/SET IN BAG	1	SET
A04			784801-1	MAGNETIC BIT HOLDER 6.35-76	1	PC.
			A-96942	IMPACTX MAGNETIC BIT HOLDER 3"	1	PC.
			A-96992	IMPACTX MAGNETIC BIT HOLDER 3"	1	PC.
			A-99281	IMPACTX MAGNETIC BIT HOLDER 3" 10/SET	1	SET
			A-99312	IMPACTX MAGNETIC BIT HOLDER 3" 10/SET	1	SET

Item No.	Type	Sub	Part No.	Description	Qty	Unit
A06			784213-8	PHILLIPS INSERT BIT 3-25	1	PC.
A07			784807-9	MAGNETIC BIT HOLDER 6.35-60	1	PC.
			B-52451	MAGNETIC BIT HOLDER 2-3/8"	1	PC.
			A-96920	IMPACTX MAGNETIC BIT HOLDER 2-3/8"	1	PC.
			A-96970	IMPACTX 1PC MAGNETIC BIT HOLDER 2-3/8"	1	PC.
			A-96936	IMPACTX MAGNETIC BIT HOLDER 2-3/8"	1	PC.
			A-96986	IMPACTX 1PC MAGNETIC BIT HOLDER 2-3/8" 10/SE IN BAG	1	SET
A08			B-45076	MAGNETIC NUTSETTER 1/4"	1	PC.
			A-97112	IMPACTX MAGNETIC NUTSETTER 1/4"	1	PC.
			A-97128	IMPACTX MAGNETIC NUTSETTER 1/4" 10/SE IN BAG	1	PC.
A09			B-45082	MAGNETIC NUTSETTER 5/16"	1	PC.
			A-97162	IMPACTX MAGNETIC NUTSETTER 5/16"	1	PC.
			A-97178	IMPACTX MAGNETIC NUTSETTER 5/16" 10/SE IN BAG	1	SET
A10			B-45098	MAGNETIC NUTSETTER 3/8"	1	PC.
			A-97215	IMPACTX MAGNETIC NUTSETTER 3/8"	1	PC.
			A-97221	IMPACTX MAGNETIC NUTSETTER 3/8" 10/SE IN BAG	1	SET
A11			B-45107	MAGNETIC NUTSETTER 7/16"	1	PC.
			A-97259	IMPACTX MAGNETIC NUTSETTER 7/16"	1	PC.
			A-99493	IMPACTX MAGNETIC NUTSETTER 7/16 10/SE IN BAG	1	SET
A12	2		197211-7	INTERLOCKING TOOL CASE M	1	PC.
		INC.	453974-8	LOCKING LATCH	4	PC.
A13			T-02571	FOAM INSERT F/INTERLOCK CASE	2	PC.
A14			---	18V LI-ION BATTERY		
A15			---	BATTERY CHARGER		
A16			---	LI-ION BATTERY ACCESSORIES		
F25			199156-5	SQ2 AUTOFEED ATTACHMENT EXCLUSIVE BIT 5/SE	1	SE
F28			191L24-0	AUTOFEED ATTACHMENT SET	1	PC.

**SERVICE CHANGES**

**1. Changes on Controller & Terminal**

Item No.	Description	(T/I#Y07276) (T/I#DC278)		
		Type 1	Type 2	Type 3
35	CONTROLLER > CONTROLLER COMPLETE	620349-8	620360-0	620J39-3
INC.		-----	Inc. No. 36	Inc. No. 36
36	TERMINAL		643860-3	

Above parts are completely interchangeable as a set.